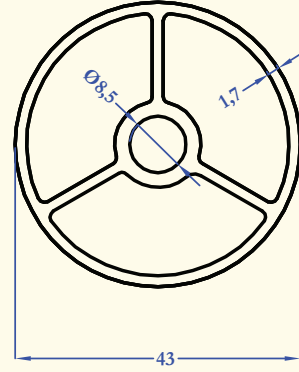
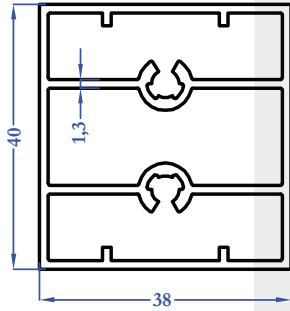


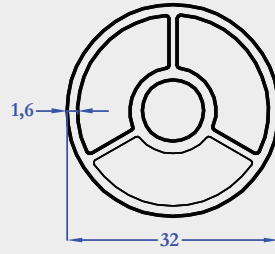
**8107**  
0,747 kg/m



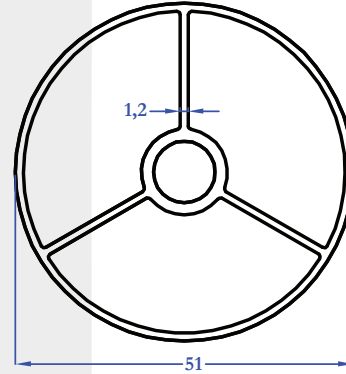
**8123**  
0,993 kg/m



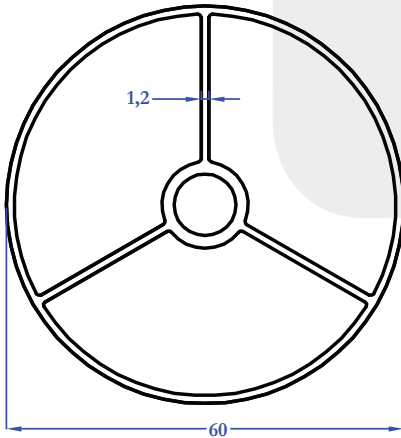
**8165**  
0,905 kg/m



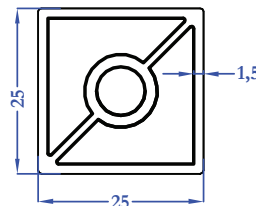
**8205**  
0,665 kg/m



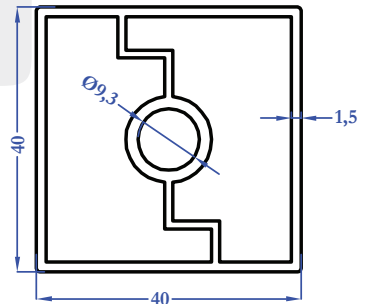
**8206**  
0,860 kg/m



**8207**  
0,996 kg/m

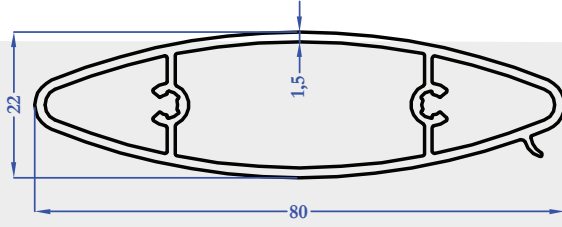


**8208**  
0,590 kg/m

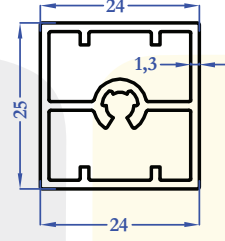


**8209**  
0,925 kg/m

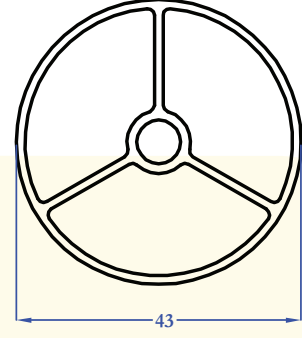
KATALOG DEĞERLERİ TEORİKTİR.



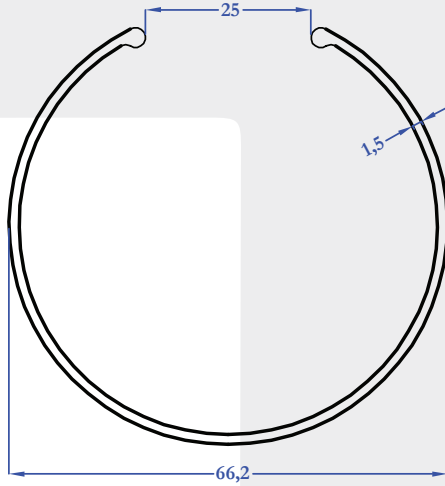
**8223**  
0,842 kg/m



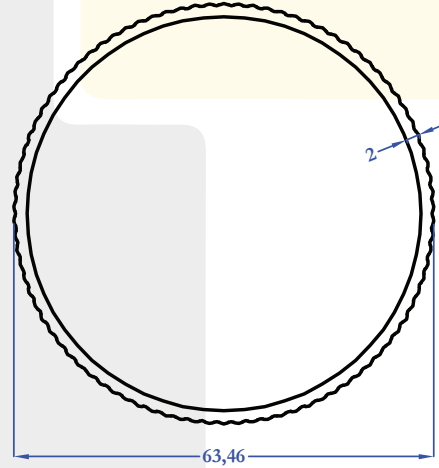
**8237**  
0,479 kg/m



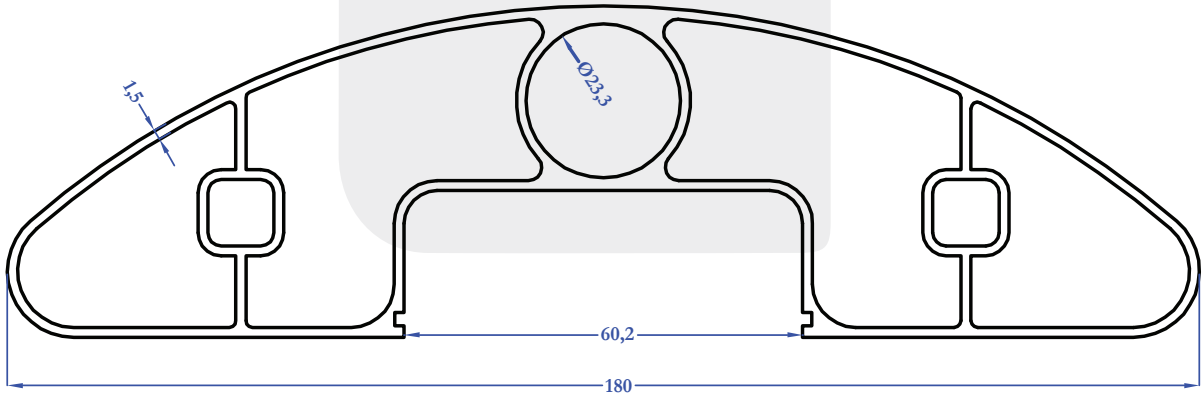
**8367**  
0,734 kg/m



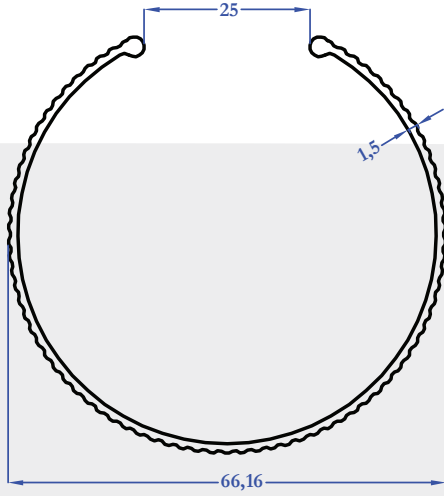
**8302**  
0,735 kg/m



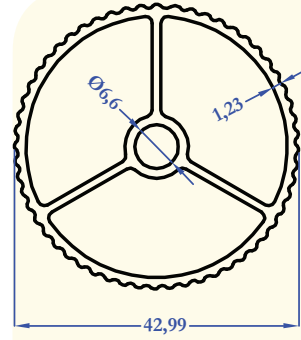
**8329**  
0,965 kg/m



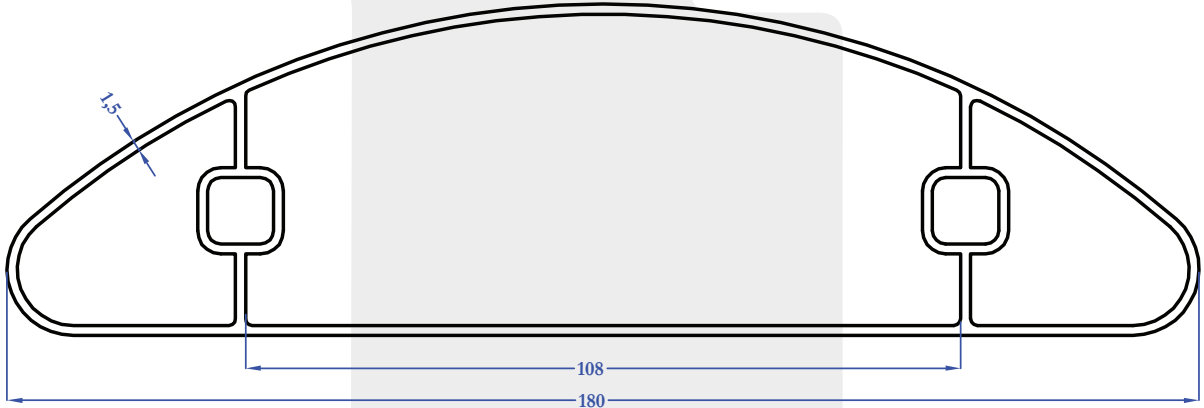
**8602**  
2,682 kg/m



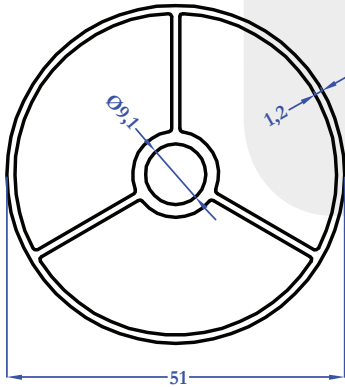
**8357**  
0,627 kg/m



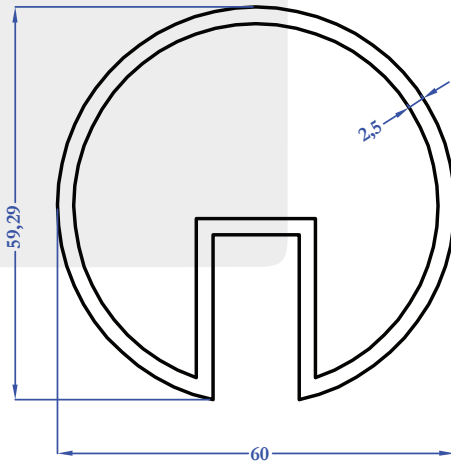
**8366**  
0,790 kg/m



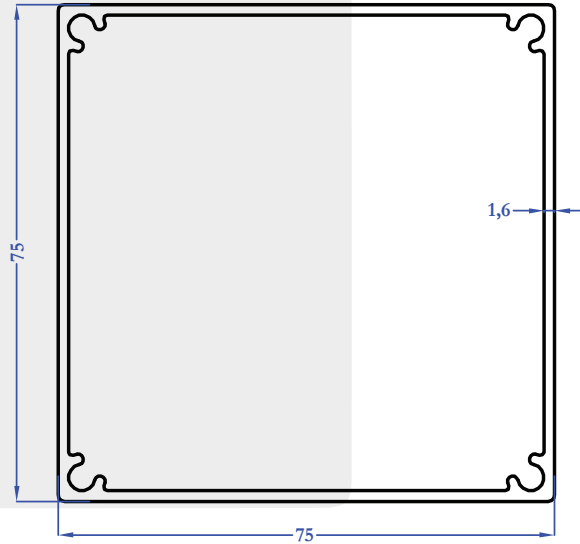
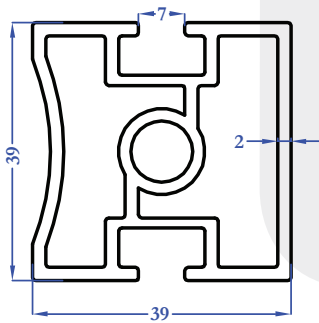
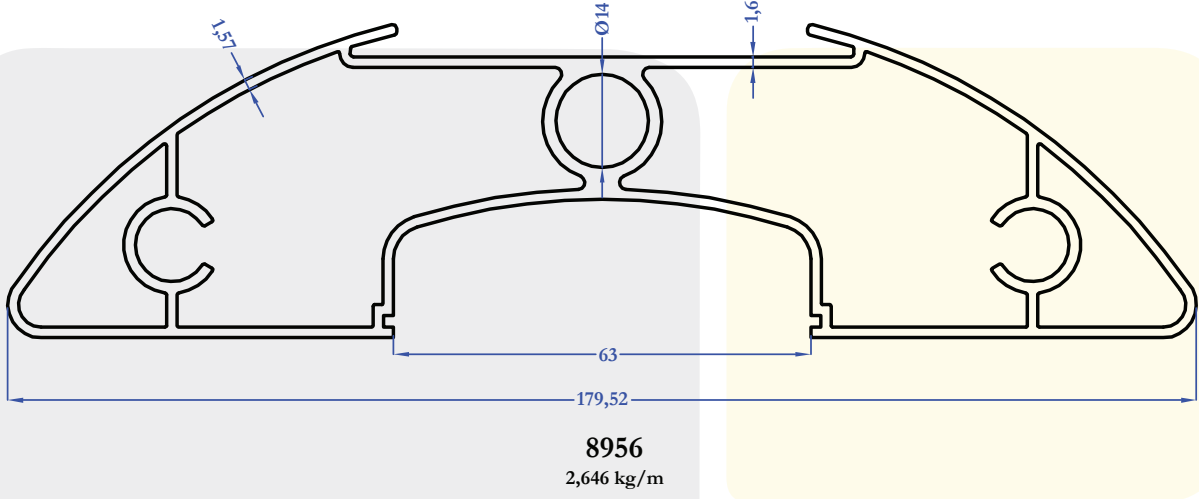
**8624**  
2,113 kg/m

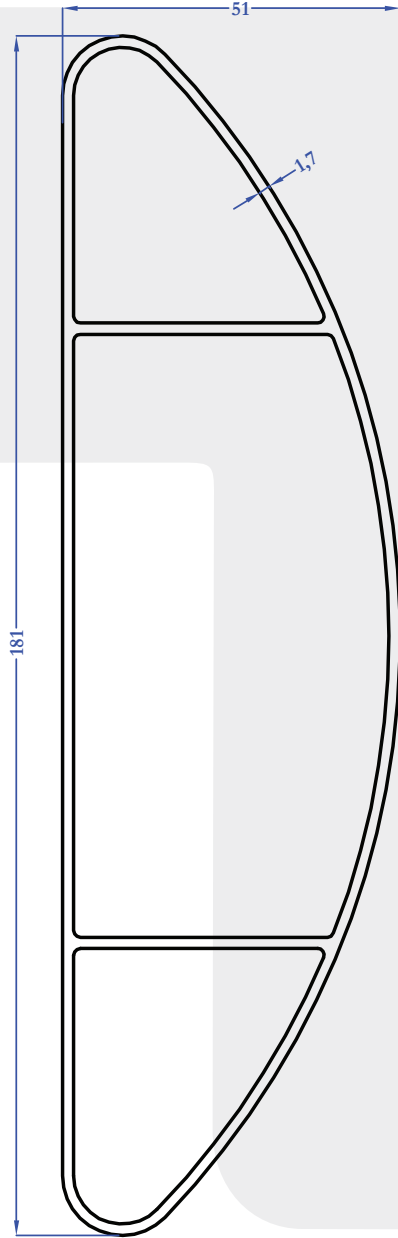


**8848**  
0,867 kg/m

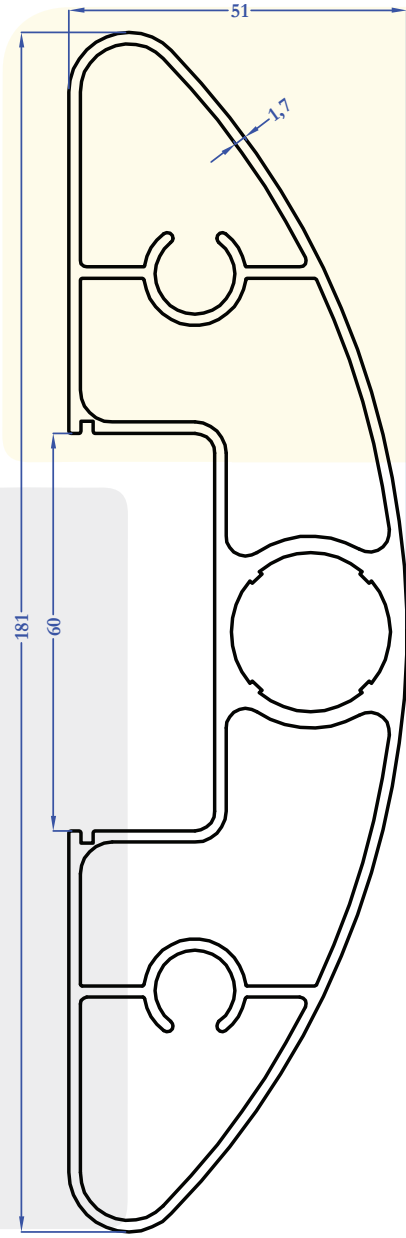


**8766**  
1,554 kg/m

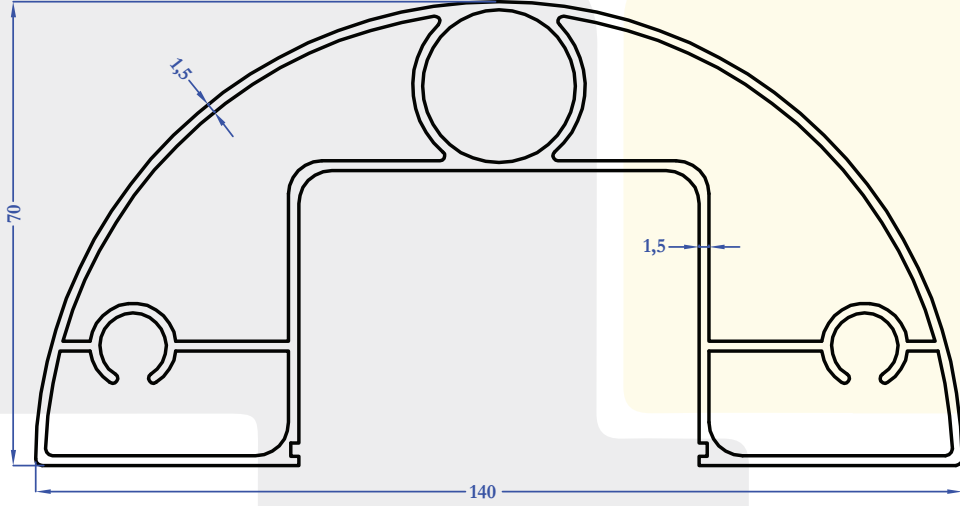




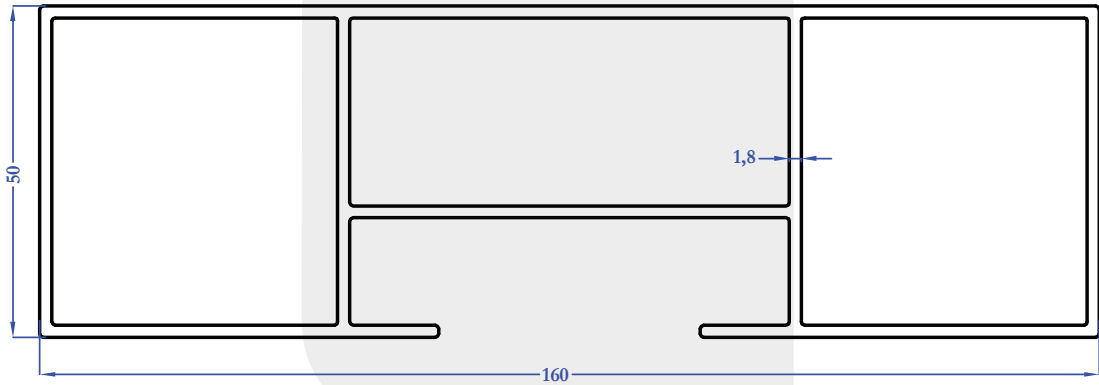
**9019**  
2,178 kg/m



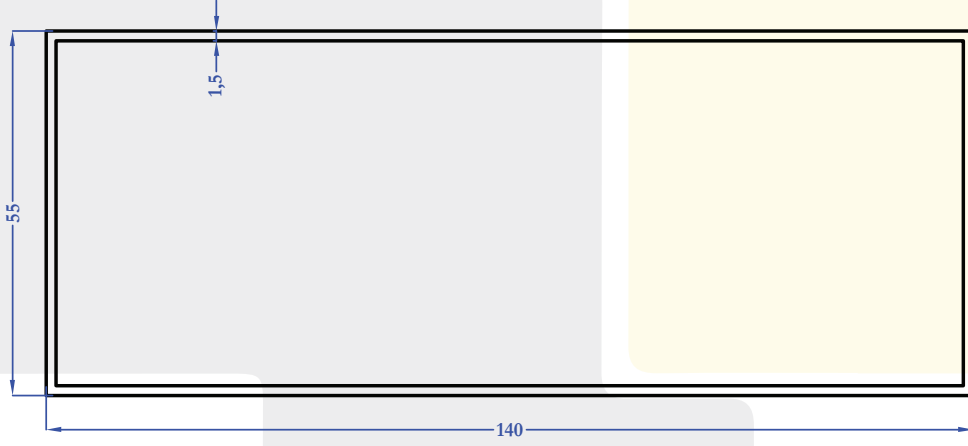
**9020**  
2,604 kg/m



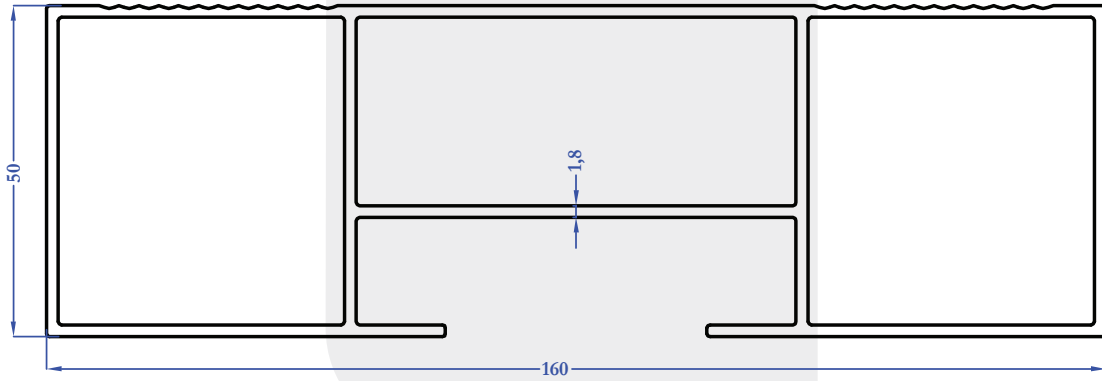
**8499B**  
2,561 kg/m



**9267**  
2,598 kg/m



**9322**  
1,560 kg/m



**9323**  
2,550 kg/m