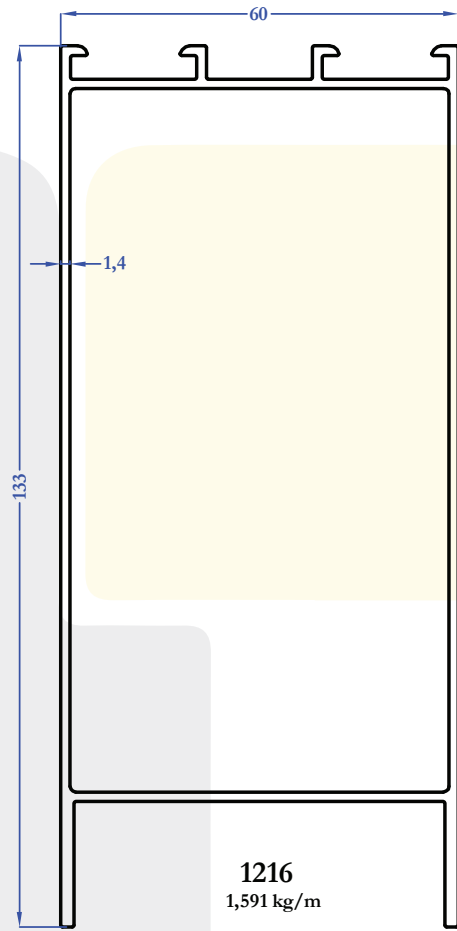
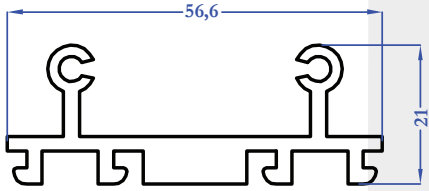


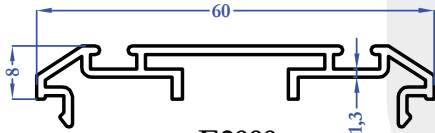
1213
1,433 kg/m



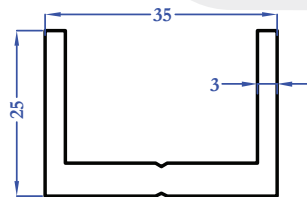
1216
1,591 kg/m



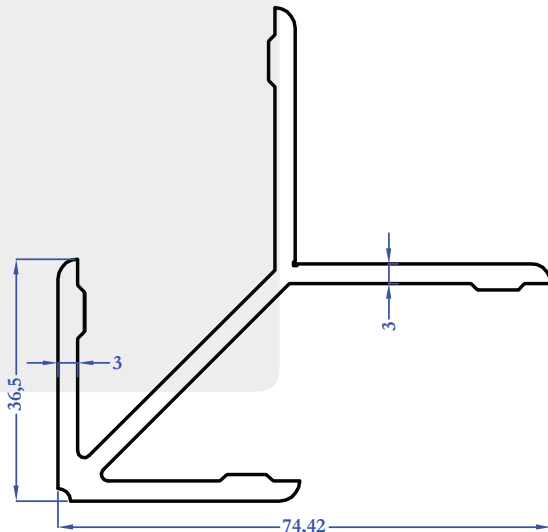
1212
0,945 kg/m



E2888
0,428 kg/m



R9516
0,797 kg/m



R9054
1,617 kg/m